

# SMS Mounts

## Dimensional Drawings: SMS Adjustable Mount

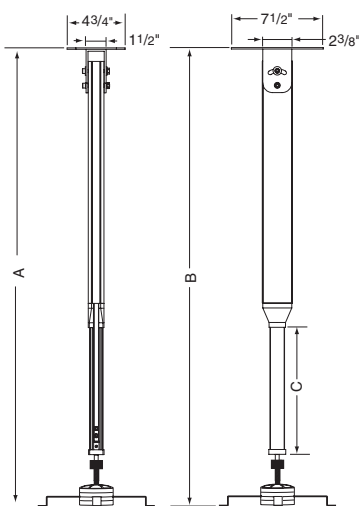
Model	A (Min)	B (Max)	C
CLV 300-350	13 <sup>3</sup> / <sub>8</sub> "	15 <sup>3</sup> / <sub>8</sub> "	2"
CLV 500-750	21 <sup>1</sup> / <sub>4</sub> "	31 <sup>1</sup> / <sub>8</sub> "	9 <sup>7</sup> / <sub>8</sub> "
CLV 650-900	27 <sup>1</sup> / <sub>4</sub> "	37 <sup>1</sup> / <sub>8</sub> "	9 <sup>7</sup> / <sub>8</sub> "
CLV 850-1100	35 <sup>1</sup> / <sub>8</sub> "	45"	9 <sup>7</sup> / <sub>8</sub> "
CLV 1050-1300	43"	52 <sup>7</sup> / <sub>8</sub> "	9 <sup>7</sup> / <sub>8</sub> "

Maximum load—26 pounds

Adjustability— *pitch* *roll* *yaw*

At ceiling plate ±30° 0° 0°

At ball joint ±30° ±30° 360°

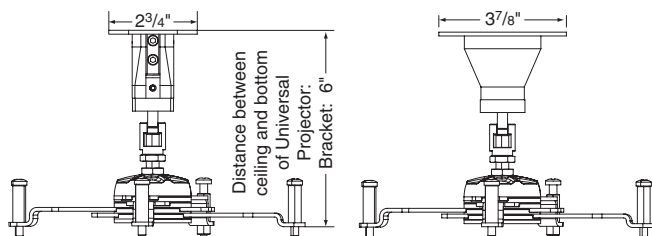


## SMS Model CLV 80

Fixed extension mount for installations close to the ceiling with our SMS UNIVERSAL PROJECTOR BRACKET. Places top of projector only 6" from ceiling (\*may vary slightly according to choice of projector, and choice of mounting technique). Ball joint at end of column adjusts infinitely up to 30° pitch, 30° roll and 360° rotation. For projectors weighing less than 26 lbs.



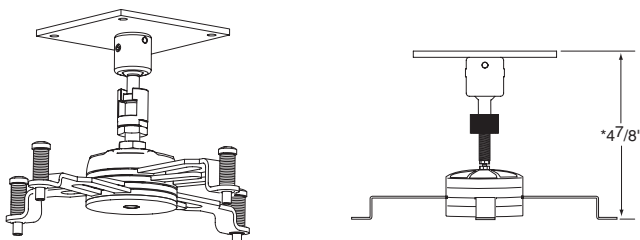
## Dimensional Drawings: SMS Model CLV 80



## SMS Low Profile Mount

Fixed mount for "low profile" ceiling installations with our SMS UNIVERSAL PROJECTOR BRACKET for projectors weighing less than 26 pounds. Places top of projector only 47/8" from ceiling (\*may vary slightly according to choice of projector). Ball joint adjusts infinitely up to 30° pitch, 30° roll and 360° yaw. The SMS LOW PROFILE MOUNT may be used in all DRAPER projector lifts.

## Dimensional Drawings: SMS Low Profile Fixed Mount



Draper SMS projector mount and Rolleramic projection screen at Earlham College, Richmond, IN. Photography by Wayne Williams, Indianapolis, IN.

## SMS Mount Options & Accessories

### • Security Lock Kit

While no system can guarantee complete security, the SECURITY LOCK KIT is an excellent deterrent. Designed to keep your projector safe and secure when mounted to an SMS PROJECTOR MOUNT. Kit includes 6' cable, key lock, 2 loopers, flexible adhesive pad and microslot lock.



### • Escutcheon Ring

Flexible ring trims the rough cut of the ceiling through which the SMS column descends. ESCUTCHEON RING is form fitted to outer column of the MOUNT. Adhesive tabs included.

### • Escutcheon Clips

Clips are another option to trim the rough cut of the ceiling opening through which the SMS inner column descends. Snaps against inner column. (SMS MOUNTS featured on page 4.)