

Home2(3) Dimension Table (1:1)

Model	Case Length (A)	Screen Width (A1)	View Width (A2)	Weight Bar Length (A3)	Bottom Edge (B4)	Material to weight Bar H (B2)	View Height (B3)	Overall Height (B1)	Overall Height w/ Bracket (B)	Case Height (B5)	Height between bracket & case (B6)	Case Width (C)	Case End to Screen (C1)	Distance between case & wall (C2)	G1	G2	G3	G4	G5	G6	G7	G8
80IWS2	1684.0	1524.0	1447.8	1572	68.6	1567.2	1447.8	1676.4	1717.0	94.0	130.0	97.0	35.0	105.0	70.0	37.1	22.0	12.0	73.5	40.0	20.0	10.0
100IWS2	2039.6	1879.6	1803.4	1953	68.6	1922.8	1803.4	2032.0	2072.6	94.0	130.0	97.0	35.0	105.0	70.0	37.1	22.0	12.0	73.5	40.0	20.0	10.0
120IWS2	2395.2	2235.2	2159.0	2308	68.6	2278.4	2159.0	2387.6	2428.2	94.0	130.0	97.0	35.0	105.0	70.0	37.1	22.0	12.0	73.5	40.0	20.0	10.0
135IWS2	2661.9	2501.9	2425.7	2575	68.6	2545.1	2425.7	2654.3	2694.9	94.0	130.0	97.0	35.0	105.0	70.0	37.1	22.0	12.0	73.5	40.0	20.0	10.0
150IWS2	2928.6	2768.6	2692.4	2842	68.6	2811.8	2692.4	2921.0	2961.6	94.0	130.0	97.0	35.0	105.0	70.0	37.1	22.0	12.0	73.5	40.0	20.0	10.0
165IWS	3246.1	3073.4	2971.8	3112	81.3	3154.7	2971.8	3289.3	3340.1	116.0	175.0	128.0	39.0	132.0	87.0	47.0	35.0	17.5	103.0	55.0	20.0	9.9
200IWS2	3865.9	3693.2	3591.6	3740	81.3	3774.4	3591.6	3909.1	3959.9	116.0	175.0	128.0	39.0	132.0	87.0	47.0	35.0	17.5	103.0	55.0	20.0	10.0

Home2(3) Dimension Table (4:3)

Model	Case Length (A)	Screen Width (A1)	View Width (A2)	Weight Bar Length (A3)	Bottom Edge (B4)	Material to weight Bar H (B2)	View Height (B3)	Overall Height (B1)	Overall Height w/ Bracket (B)	Case Height (B5)	Height between bracket & case (B6)	Case Width (C)	Case End to Screen (C1)	Distance between case & wall (C2)	G1	G2	G3	G4	G5	G6	G7	G8
75IWW2	1760.2	1600.2	1524.0	1648	68.6	1262.4	1143.0	1371.6	1412.2	94.0	130.0	97.0	35.0	105.0	70.0	37.1	22.0	12.0	73.5	40.0	20.0	10.0
90IWW2	2065.0	1905.0	1828.8	1953	68.6	1491.0	1371.6	1600.2	1640.8	94.0	130.0	97.0	35.0	105.0	70.0	37.1	22.0	12.0	73.5	40.0	20.0	10.0
100IWW2	2268.2	2108.2	2032.0	2181	68.6	1643.4	1524.0	1752.6	1793.2	94.0	130.0	97.0	35.0	105.0	70.0	37.1	22.0	12.0	73.5	40.0	20.0	10.0
120IWW2	2674.6	2514.6	2438.4	2588	68.6	1948.2	1828.8	2057.4	2098.0	94.0	130.0	97.0	35.0	105.0	70.0	37.1	22.0	12.0	73.5	40.0	20.0	10.0
135IWW2	2979.4	2819.4	2743.2	2892	68.6	2176.8	2057.4	2286.0	2326.6	94.0	130.0	97.0	35.0	105.0	70.0	37.1	22.0	12.0	73.5	40.0	20.0	10.0
150IWW2	3284.2	3124.2	3048.0	3197	68.6	2405.4	2286.0	2514.6	2555.2	94.0	130.0	97.0	35.0	105.0	70.0	37.1	22.0	12.0	73.5	40.0	20.0	10.0
180IWW2	3931.9	3759.2	3657.6	3806	81.3	2926.1	2743.2	3060.7	3111.5	116.0	175.0	128.0	39.0	132.0	87.0	47.0	35.0	17.5	103.0	55.0	20.0	10.0

Home2(3) Dimension Table (16:9)

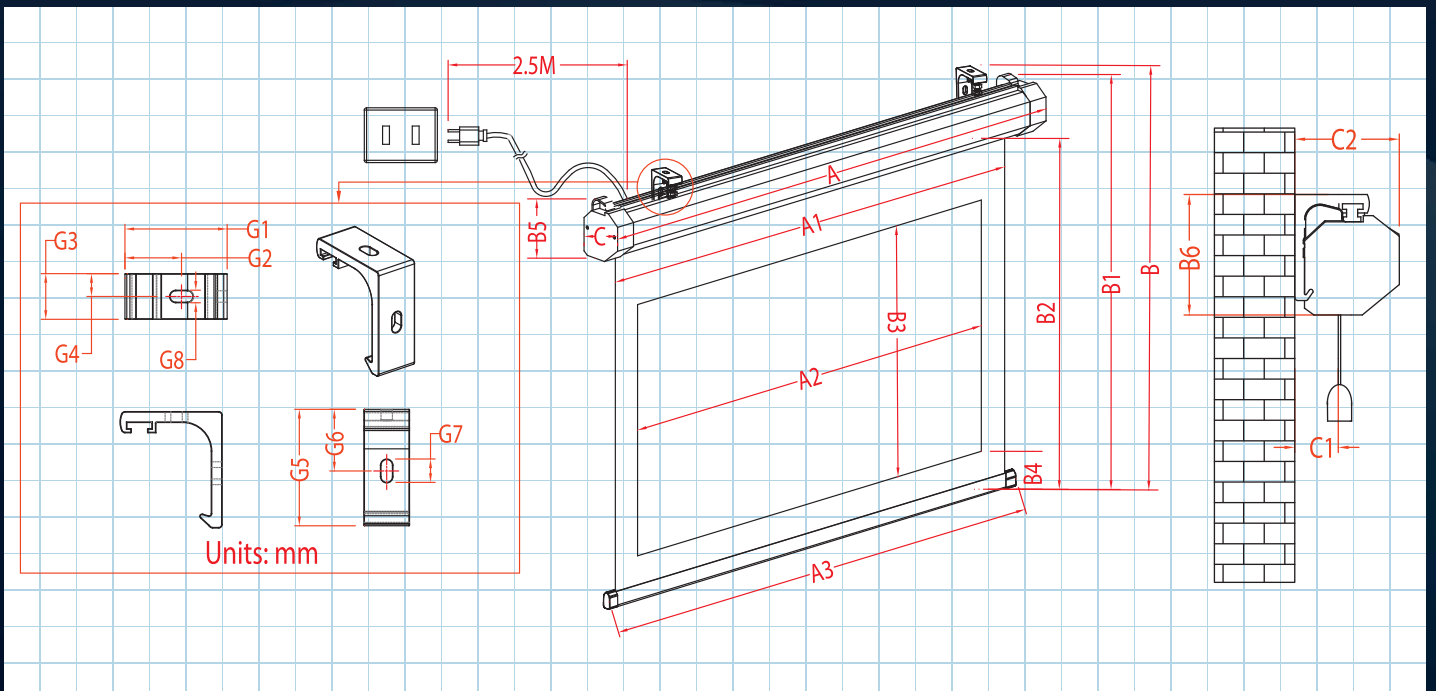
Model	Case Length (A)	Screen Width (A1)	View Width (A2)	Weight Bar Length (A3)	Bottom Edge (B4)	Material to weight Bar H (B2)	View Height (B3)	Overall Height (B1)	Overall Height w/ Bracket (B)	Case Height (B5)	Height between bracket & case (B6)	Case Width (C)	Case End to Screen (C1)	Distance between case & wall (C2)	G1	G2	G3	G4	G5	G6	G7	G8
75IWH2	1896.2	1736.2	1660.0	1782	68.6	1052.4	933.0	1161.6	1202.2	94.0	130.0	97.0	35.0	105.0	70.0	37.1	22.0	12.0	73.5	40.0	20.0	10.0
75IWH2-E30	1896.2	1736.2	1660.0	1782	68.6	1052.4	933.0	1161.6	1202.2	94.0	130.0	97.0	35.0	105.0	70.0	37.1	22.0	12.0	73.5	40.0	20.0	10.0
90IWH2	2227.2	2067.2	1991.0	2116	68.6	1240.4	1121.0	1349.6	1390.2	94.0	130.0	97.0	35.0	105.0	70.0	37.1	22.0	12.0	73.5	40.0	20.0	10.0
90IWH2-E30	2227.2	2067.2	1991.0	2116	68.6	1240.4	1121.0	1349.6	1390.2	94.0	130.0	97.0	35.0	105.0	70.0	37.1	22.0	12.0	73.5	40.0	20.0	10.0
100IWH2	2445.2	2285.2	2209.0	2356	68.6	1364.4	1245.0	1473.6	1514.2	94.0	130.0	97.0	35.0	105.0	70.0	37.1	22.0	12.0	73.5	40.0	20.0	10.0
100IWH2-E24	2445.2	2285.2	2209.0	2356	68.6	1364.4	1245.0	1473.6	1514.2	94.0	130.0	97.0	35.0	105.0	70.0	37.1	22.0	12.0	73.5	40.0	20.0	10.0
120IWH2	2892.2	2732.2	2656.0	2816	68.6	1613.4	1494.0	1722.6	1763.2	94.0	130.0	97.0	35.0	105.0	70.0	37.1	22.0	12.0	73.5	40.0	20.0	10.0
120IWH2-E24	2892.2	2732.2	2656.0	2816	68.6	1613.4	1494.0	1722.6	1763.2	94.0	130.0	97.0	35.0	105.0	70.0	37.1	22.0	12.0	73.5	40.0	20.0	10.0
135IWH2	3225.2	3065.2	2989.0	3146	68.6	1800.4	1681.0	1909.6	1950.2	94.0	130.0	97.0	35.0	105.0	70.0	37.1	22.0	12.0	73.5	40.0	20.0	10.0
135IWH2-E24	3225.2	3065.2	2989.0	3146	68.6	1800.4	1681.0	1909.6	1950.2	94.0	130.0	97.0	35.0	105.0	70.0	37.1	22.0	12.0	73.5	40.0	20.0	10.0
150IWH2	3557.2	3397.2	3321.0	3477	68.6	1986.4	1867.0	2095.6	2136.2	94.0	130.0	97.0	35.0	105.0	70.0	37.1	22.0	12.0	73.5	40.0	20.0	10.0
150IWH2-E24	3557.2	3397.2	3321.0	3477	68.6	1986.4	1867.0	2095.6	2136.2	94.0	130.0	97.0	35.0	105.0	70.0	38.1	22.0	12.0	73.5	40.0	20.0	10.0
180IWH2	4259.3	4086.6	3985.0	4133	81.3	2475.7	2242.0	2610.3	2661.1	116.0	175.0	128.0	39.0	132.0	87.0	47.0	35.0	17.5	103.0	55.0	20.0	10.0

Unit: mm

**BOLD** in Model number indicates Diag. Screen size

\*Measurement dimensions are intended as a reference only and subject to change without notice

Note: Data Error ±1"



- Premium Grade Front Projection Screen
- Electric/Motorized Wall/Ceiling Screens

Home2(3) Dimension Table (1:1)

Model	Case Length (A)	Screen Width (A1)	View Width (A2)	Weight Bar Length (A3)	Bottom Edge (B4)	Material to weight Bar H (B2)	View Height (B3)	Overall Height (B1)	Overall Height w/ Bracket (B)	Case Height (B5)	Height between bracket & case (B6)	Case Width (C)	Case End to Screen (C1)	Distance between case & wall (C2)	G1	G2	G3	G4	G5	G6	G7	G8
80IWS2	66.3	60.0	57.0	61.9	2.7	61.7	57.0	66.0	67.6	3.7	5.1	3.8	1.4	4.1	2.8	1.5	0.9	0.5	2.9	1.6	0.8	0.4
100IWS2	80.3	74.0	71.0	75.9	2.7	75.7	71.0	80.0	81.6	3.7	5.1	3.8	1.4	4.1	2.8	1.5	0.9	0.5	2.9	1.6	0.8	0.4
120IWS2	94.3	88.0	85.0	89.9	2.7	89.7	85.0	94.0	95.6	3.7	5.1	3.8	1.4	4.1	2.8	1.5	0.9	0.5	2.9	1.6	0.8	0.4
135IWS2	104.8	98.5	95.5	100.4	2.7	100.2	95.5	104.5	106.1	3.7	5.1	3.8	1.4	4.1	2.8	1.5	0.9	0.5	2.9	1.6	0.8	0.4
150IWS2	115.3	109.0	106.0	110.9	2.7	110.7	106.0	115.0	116.6	3.7	5.1	3.8	1.4	4.1	2.8	1.5	0.9	0.5	2.9	1.6	0.8	0.4
165IWS	127.8	121.0	117.0	122.9	3.2	124.2	117.0	129.5	131.5	4.6	6.9	5.0	1.5	5.2	3.4	1.9	1.4	0.7	4.1	2.2	0.8	0.4
200IWS2	152.2	145.4	141.4	147.3	3.2	148.6	141.4	153.9	155.9	4.6	6.9	5.0	1.5	5.2	3.4	1.9	1.4	0.7	4.1	2.2	0.8	0.4

Home2(3) Dimension Table (4:3)

Model	Case Length (A)	Screen Width (A1)	View Width (A2)	Weight Bar Length (A3)	Bottom Edge (B4)	Material to weight Bar H (B2)	View Height (B3)	Overall Height (B1)	Overall Height w/ Bracket (B)	Case Height (B5)	Height between bracket & case (B6)	Case Width (C)	Case End to Screen (C1)	Distance between case & wall (C2)	G1	G2	G3	G4	G5	G6	G7	G8
75IWW2	69.3	63.0	60.0	64.9	2.7	49.7	45.0	54.0	55.6	3.7	5.1	3.8	1.4	4.1	2.8	1.5	0.9	0.5	2.9	1.6	0.8	0.4
90IWW2	81.3	75.0	72.0	76.9	2.7	58.7	54.0	63.0	64.6	3.7	5.1	3.8	1.4	4.1	2.8	1.5	0.9	0.5	2.9	1.6	0.8	0.4
100IWW2	89.3	83.0	80.0	84.9	2.7	64.7	60.0	69.0	70.6	3.7	5.1	3.8	1.4	4.1	2.8	1.5	0.9	0.5	2.9	1.6	0.8	0.4
120IWW2	105.3	99.0	96.0	100.9	2.7	76.7	72.0	81.0	82.6	3.7	5.1	3.8	1.4	4.1	2.8	1.5	0.9	0.5	2.9	1.6	0.8	0.4
135IWW2	117.3	111.0	108.0	112.9	2.7	85.7	81.0	90.0	91.6	3.7	5.1	3.8	1.4	4.1	2.8	1.5	0.9	0.5	2.9	1.6	0.8	0.4
150IWW2	129.3	123.0	120.0	124.9	2.7	94.7	90.0	99.0	100.6	3.7	5.1	3.8	1.4	4.1	2.8	1.5	0.9	0.5	2.9	1.6	0.8	0.4
180IWW2	154.8	148.0	144.0	149.9	3.2	115.2	108.0	120.5	122.5	4.6	6.9	5.0	1.5	5.2	3.4	1.9	1.4	0.7	4.1	2.2	0.8	0.4

Home2(3) Dimension Table (16:9)

Model	Case Length (A)	Screen Width (A1)	View Width (A2)	Weight Bar Length (A3)	Bottom Edge (B4)	Material to weight Bar H (B2)	View Height (B3)	Overall Height (B1)	Overall Height w/ Bracket (B)	Case Height (B5)	Height between bracket & case (B6)	Case Width (C)	Case End to Screen (C1)	Distance between case & wall (C2)	G1	G2	G3	G4	G5	G6	G7	G8
75IWH2	74.7	68.4	65.4	70.3	2.7	41.4	36.7	45.7	47.3	3.7	5.1	3.8	1.4	4.1	2.8	1.5	0.9	0.5	2.9	1.6	0.8	0.4
75IWH2-E30	74.7	68.4	65.4	70.3	2.7	41.4	36.7	45.7	47.3	3.7	5.1	3.8	1.4	4.1	2.8	1.5	0.9	0.5	2.9	1.6	0.8	0.4
90IWH2	87.7	81.4	78.4	83.3	2.7	48.8	44.1	53.1	54.7	3.7	5.1	3.8	1.4	4.1	2.8	1.5	0.9	0.5	2.9	1.6	0.8	0.4
90IWH2-E30	87.7	81.4	78.4	83.3	2.7	48.8	44.1	53.1	54.7	3.7	5.1	3.8	1.4	4.1	2.8	1.5	0.9	0.5	2.9	1.6	0.8	0.4
100IWH2	96.3	90.0	87.0	91.9	2.7	53.7	49.0	58.0	59.6	3.7	5.1	3.8	1.4	4.1	2.8	1.5	0.9	0.5	2.9	1.6	0.8	0.4
100IWH2-E24	96.3	90.0	87.0	91.9	2.7	53.7	49.0	58.0	59.6	3.7	5.1	3.8	1.4	4.1	2.8	1.5	0.9	0.5	2.9	1.6	0.8	0.4
120IWH2	113.9	107.6	104.6	109.5	2.7	63.5	58.8	67.8	69.4	3.7	5.1	3.8	1.4	4.1	2.8	1.5	0.9	0.5	2.9	1.6	0.8	0.4
120IWH2-E24	113.9	107.6	104.6	109.5	2.7	63.5	58.8	67.8	69.4	3.7	5.1	3.8	1.4	4.1	2.8	1.5	0.9	0.5	2.9	1.6	0.8	0.4
135IWH2	127.0	120.7	117.7	122.6	2.7	70.9	66.2	75.2	76.8	3.7	5.1	3.8	1.4	4.1	2.8	1.5	0.9	0.5	2.9	1.6	0.8	0.4
135IWH2-E24	127.0	120.7	117.7	122.6	2.7	70.9	66.2	75.2	76.8	3.7	5.1	3.8	1.4	4.1	2.8	1.5	0.9	0.5	2.9	1.6	0.8	0.4
150IWH2	140.0	133.7	130.7	135.6	2.7	78.2	73.5	82.5	84.1	3.7	5.1	3.8	1.4	4.1	2.8	1.5	0.9	0.5	2.9	1.6	0.8	0.4
150IWH2-E24	140.0	133.7	130.7	135.6	2.7	78.2	73.5	82.5	84.1	3.7	5.1	3.8	1.4	4.1	2.8	1.5	0.9	0.5	2.9	1.6	0.8	0.4
180IWH2	167.7	160.9	156.9	162.8	3.2	97.5	88.3	102.8	104.8	4.6	6.9	5.0	1.5	5.2	3.4	1.9	1.4	0.7	4.1	2.2	0.8	0.4

Unit: inch

BOLD in Model number indicates Diag. Screen size

\*Measurement dimensions are intended as a reference only and subject to change without notice

Note: Data Error ±1"

