

- Tab-Tensioned Electric Screen
- Premium Grade Tension Electric Screens

CineTension2(3) Dimension Table (2.35:1)

Model	Case Length (A)	Screen Width (A1)	View Width (A2)	Weight Bar Length (A3)	Bottom Edge (B4)	Material to weight Bar H (B2)	View Height (B3)	Overall Height (B1)	Overall Height w/ Bracket (B)	Case Height (B5)	Height between bracket & case (B6)	Case Width (C)	Case End to Screen (C1)	Distance between case & wall (C2)	G1	G2	G3	G4	G5	G6	G7	G8
85C-E30	2328.5	2176.5	1986.5	2266.5	87.0	1694.2	845.2	1804.2	1844.2	94.0	105.0	97.0	24.0	132.0	70.1	37.1	22.1	11.9	73.4	39.9	20.1	9.9
96C-E24	2668.6	2433.6	2243.6	2523.6	96.0	1660.2	954.6	1798.2	1848.2	116.1	179.0	128.0	24.0	132.0	87.1	47.0	35.1	17.5	103.1	55.1	20.1	9.9
103C-E24	2832.2	2597.2	2407.2	2687.2	96.0	1729.8	1024.2	1867.8	1917.8	116.1	180.0	128.0	24.0	132.0	87.1	47.0	35.1	17.5	103.1	55.1	20.1	9.9
115C-E24	3112.6	2877.6	2687.6	2967.6	96.0	1849.2	1143.6	1987.2	2037.2	116.1	181.0	128.0	24.0	132.0	87.1	47.0	35.1	17.5	103.1	55.1	20.1	9.9
125C-E20	3346.3	3111.3	2921.3	3201.3	96.0	1847.0	1243.0	1985.0	2035.0	116.1	182.0	128.0	24.0	132.0	87.1	47.0	35.1	17.5	103.1	55.1	20.1	9.9
138C-E16	3650.1	3415.1	3225.1	3505.1	96.0	1874.7	1372.3	2012.7	2062.7	116.1	183.0	128.0	24.0	132.0	87.1	47.0	35.1	17.5	103.1	55.1	20.1	9.9
153C-E12	4000.7	3765.7	3575.7	3855.7	96.0	1922.2	1521.4	2060.2	2110.2	116.1	184.0	128.0	24.0	132.0	87.1	47.0	35.1	17.5	103.1	55.1	20.1	9.9

CineTension2(3) Dimension Table (4:3)

Model	Case Length (A)	Screen Width (A1)	View Width (A2)	Weight Bar Length (A3)	Bottom Edge (B4)	Material to weight Bar H (B2)	View Height (B3)	Overall Height (B1)	Overall Height w/ Bracket (B)	Case Height (B5)	Height between bracket & case (B6)	Case Width (C)	Case End to Screen (C1)	Distance between case & wall (C2)	G1	G2	G3	G4	G5	G6	G7	G8
84V	2109.0	1884.7	1706.9	1995.0	87.0	1515.0	1280.0	1625.0	1665.0	94.0	105.0	97.0	20.0	132.0	70.1	37.1	22.1	11.9	73.4	39.9	20.1	9.9
84V-E30	2109.0	1884.7	1706.9	1993.9	87.0	2128.5	1280.2	2240.3	2280.9	94.0	105.0	97.0	20.0	132.0	70.1	37.1	22.1	11.9	73.4	39.9	20.1	9.9
92V	2260.6	2047.2	1869.4	2141.2	87.0	1640.8	1402.1	1752.6	1793.2	94.0	105.0	97.0	20.0	132.0	70.1	37.1	22.1	11.9	73.4	39.9	20.1	9.9
100V	2439.0	2209.8	2032.0	2305.0	96.0	1768.0	1524.0	1905.8	1955.0	116.0	175.0	128.0	24.0	132.0	87.1	47.0	35.1	17.5	103.1	55.1	20.1	9.9
120V	2882.0	2616.2	2438.4	2725.0	96.0	2022.0	1828.0	2160.0	2210.0	116.0	175.0	128.0	24.0	132.0	87.1	47.0	35.1	17.5	103.1	55.1	20.1	9.9
135V	3186.9	2921.0	2743.2	3040.0	96.0	2251.0	2057.0	2389.0	2439.0	116.0	175.0	128.0	24.0	132.0	87.1	47.0	35.1	17.5	103.1	55.1	20.1	9.9
150V	3511.0	3225.8	3048.0	3365.0	97.0	2480.0	2286.0	2618.0	2668.0	116.1	175.0	128.0	24.0	132.0	87.1	47.0	35.1	17.5	103.1	55.1	20.1	9.9

CineTension2(3) Dimension Table (16:9)

Model	Case Length (A)	Screen Width (A1)	View Width (A2)	Weight Bar Length (A3)	Bottom Edge (B4)	Material to weight Bar H (B2)	View Height (B3)	Overall Height (B1)	Overall Height w/ Bracket (B)	Case Height (B5)	Height between bracket & case (B6)	Case Width (C)	Case End to Screen (C1)	Distance between case & wall (C2)	G1	G2	G3	G4	G5	G6	G7	G8
84H	2260.6	2037.6	1859.8	2140.0	87.0	1281.0	1046.0	1391.0	1431.0	94.0	105.0	97.0	20.1	132.0	70.1	37.1	22.1	11.9	73.4	39.9	20.1	9.9
84H-E30	2260.6	2037.1	1859.3	2141.0	87.0	1894.8	1046.0	2006.6	2044.7	94.0	105.0	97.0	20.1	132.0	70.1	37.1	22.1	11.9	73.4	39.9	20.1	9.9
92H	2439.0	2214.9	2037.1	2345.0	96.0	1394.0	1145.5	1529.0	1579.0	116.0	175.0	128.0	24.0	132.0	87.1	47.0	35.4	17.5	103.0	55.0	20.1	9.9
100H	2617.0	2391.7	2213.9	2455.0	96.0	1489.0	1245.4	1628.0	1678.0	116.0	175.0	128.0	24.0	132.0	87.1	47.0	35.1	17.5	103.1	55.1	20.1	9.9
100H-E24	2617.0	2391.7	2214.0	2455.0	96.0	1950.7	1245.0	2090.4	2141.2	116.0	175.0	128.0	24.0	132.0	87.1	47.0	35.4	17.5	103.1	55.1	20.1	9.9
106H	2770.0	2524.8	2347.0	2625.0	96.0	1564.0	1320.0	1703.0	1753.0	116.0	175.0	128.0	24.0	132.0	87.1	47.0	35.1	17.5	103.1	55.1	20.1	9.9
106H-E24	2770.0	2524.0	2347.0	2625.0	96.0	2024.0	1320.0	2163.0	2213.0	116.0	175.0	128.0	24.0	132.0	87.1	47.0	35.1	17.5	103.1	55.1	20.1	9.9
110H	2882.9	2613.7	2435.9	2722.9	96.0	1612.9	1369.1	1750.1	1800.9	116.0	176.0	128.0	24.0	132.0	87.1	47.0	35.1	17.5	103.1	55.1	20.1	9.9
110H-E24	2882.9	2613.7	2435.9	2722.9	96.0	2075.2	1369.1	2214.9	2265.7	116.0	175.3	128.0	24.0	132.0	87.1	47.0	35.1	17.5	103.1	55.1	20.1	9.9
120H	3114.0	2834.6	2656.8	2945.0	96.0	1688.0	1494.0	1826.0	1876.0	116.0	175.0	128.0	24.0	132.0	87.1	47.0	35.1	17.5	103.1	55.1	20.1	9.9
120H-E20	3114.0	2834.6	2656.8	2945.0	96.0	2098.0	1493.5	2237.7	2288.5	116.0	175.0	128.0	24.0	132.0	87.1	47.0	35.1	17.5	103.1	55.1	20.1	9.9
135H	3441.0	3167.0	2989.0	3255.0	96.0	1875.0	1681.0	2013.0	2063.0	116.0	175.0	128.0	24.0	132.0	87.1	47.0	35.1	17.5	103.1	55.1	20.1	9.9
135H-E12	3441.0	3167.0	2989.0	3255.0	96.0	2098.0	1681.5	2237.7	2288.5	116.0	175.0	128.0	24.0	132.0	87.1	47.0	35.1	17.5	103.1	55.1	20.1	9.9
150H	3804.0	3498.6	3320.8	3610.0	96.0	2062.0	1868.0	2200.0	2250.0	116.0	175.0	128.0	24.0	132.0	87.1	47.0	35.1	17.5	103.1	55.1	20.1	9.9

CineTension2(3) Dimension Table (16:10)

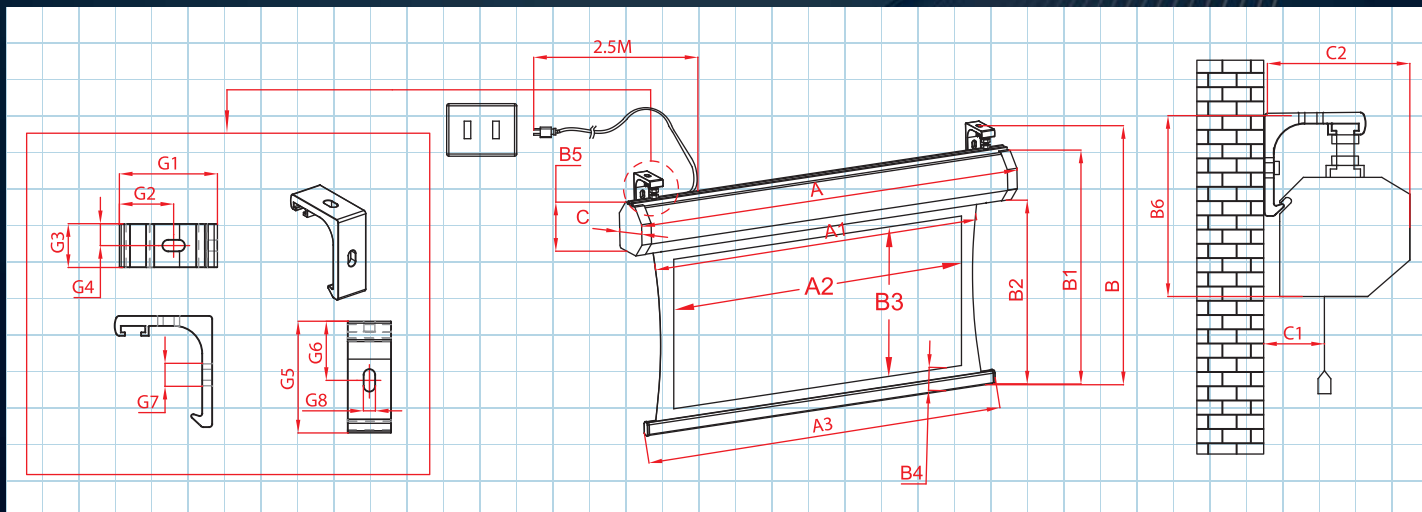
Model	Case Length (A)	Screen Width (A1)	View Width (A2)	Weight Bar Length (A3)	Bottom Edge (B4)	Material to weight Bar H (B2)	View Height (B3)	Overall Height (B1)	Overall Height w/ Bracket (B)	Case Height (B5)	Height between bracket & case (B6)	Case Width (C)	Case End to Screen (C1)	Distance between case & wall (C2)	G1	G2	G3	G4	G5	G6	G7	G8
94X	2439.0	2202.2	2024.4	2296.2	96.0	1508.8	1264.9	1645.9	1696.7	116.1	176.0	128.0	24.0	132.0	87.1	47.0	35.1	17.5	103.1	55.1	20.1	9.9
116X	2934.0	2677.2	2499.4	2771.1	96.0	1805.9	1562.1	1943.1	1993.9	116.1	177.0	128.0	24.0	132.0	87.1	47.0	35.1	17.5	103.1	55.1	20.1	9.9

Unit: mm

BOLD in Model number indicates Diag. Screen size

*Measurement dimensions are intended as a reference only and subject to change without notice

Note: Data Error ±1"



CineTension2(3) Dimension Table (2.35:1)

Model	Case Length (A)	Screen Width (A1)	View Width (A2)	Weight Bar Length (A3)	Bottom Edge (B4)	Material to weight Bar H (B2)	View Height (B3)	Overall Height (B1)	Overall Height w/ Bracket (B)	Case Height (B5)	Height between bracket & case (B6)	Case Width (C)	Case End to Screen (C1)	Distance between case & wall (C2)	G1	G2	G3	G4	G5	G6	G7	G8
85C-E30	91.7	85.7	78.2	89.2	3.4	66.7	33.3	71.0	72.6	3.7	4.1	3.8	0.8	5.2	2.8	1.5	0.9	0.5	2.9	1.6	0.8	0.4
96C-E24	105.1	95.8	88.3	99.4	3.8	65.4	37.6	70.8	72.8	4.6	6.9	5.0	0.9	5.2	3.4	1.9	1.4	0.7	4.1	2.2	0.8	0.4
103C-E24	111.5	102.3	94.8	105.8	3.8	68.1	40.3	73.5	75.5	4.6	6.9	5.0	0.9	5.2	3.4	1.9	1.4	0.7	4.1	2.2	0.8	0.4
115C-E24	122.5	113.3	105.8	116.8	3.8	72.8	45.0	78.2	80.2	4.6	6.9	5.0	0.9	5.2	3.4	1.9	1.4	0.7	4.1	2.2	0.8	0.4
125C-E20	131.7	122.5	115.0	126.0	3.8	72.7	48.9	78.1	80.1	4.6	6.9	5.0	0.9	5.2	3.4	1.9	1.4	0.7	4.1	2.2	0.8	0.4
138C-E16	143.7	134.5	127.0	138.0	3.8	73.8	54.0	79.2	81.2	4.6	6.9	5.0	0.9	5.2	3.4	1.9	1.4	0.7	4.1	2.2	0.8	0.4
153C-E12	157.5	148.3	140.8	151.8	3.8	75.7	59.9	81.1	83.1	4.6	6.9	5.0	0.9	5.2	3.4	1.9	1.4	0.7	4.1	2.2	0.8	0.4

CineTension2(3) Dimension Table (4:3)

Model	Case Length (A)	Screen Width (A1)	View Width (A2)	Weight Bar Length (A3)	Bottom Edge (B4)	Material to weight Bar H (B2)	View Height (B3)	Overall Height (B1)	Overall Height w/ Bracket (B)	Case Height (B5)	Height between bracket & case (B6)	Case Width (C)	Case End to Screen (C1)	Distance between case & wall (C2)	G1	G2	G3	G4	G5	G6	G7	G8
84V	83.0	74.2	67.2	78.5	3.4	59.6	50.4	64.0	65.6	3.7	4.1	3.8	0.8	5.2	2.8	1.5	0.9	0.5	2.9	1.6	0.8	0.4
84V-E30	83.0	74.2	67.2	78.5	3.4	83.8	50.4	88.2	89.8	3.7	4.1	3.8	0.8	5.2	2.8	1.5	0.9	0.5	2.9	1.6	0.8	0.4
92V	89.0	80.6	73.6	84.3	3.4	64.6	55.2	69.0	70.6	3.7	4.1	3.8	0.8	5.2	2.8	1.5	0.9	0.5	2.9	1.6	0.8	0.4
100V	96.0	87.0	80.0	90.7	3.8	69.6	60.0	75.0	77.0	4.6	6.9	5.0	0.9	5.2	3.4	1.9	1.4	0.7	4.1	2.2	0.8	0.4
120V	113.5	103.0	96.0	107.3	3.8	79.6	72.0	85.0	87.0	4.6	6.9	5.0	0.9	5.2	3.4	1.9	1.4	0.7	4.1	2.2	0.8	0.4
135V	125.5	115.0	108.0	119.7	3.8	88.6	81.0	94.1	96.0	4.6	6.9	5.0	0.9	5.2	3.4	1.9	1.4	0.7	4.1	2.2	0.8	0.4
150V	138.2	127.0	120.0	132.5	3.8	97.6	90.0	103.1	105.0	4.6	6.9	5.0	0.9	5.2	3.4	1.9	1.4	0.7	4.1	2.2	0.8	0.4

CineTension2(3) Dimension Table (16:9)

Model	Case Length (A)	Screen Width (A1)	View Width (A2)	Weight Bar Length (A3)	Bottom Edge (B4)	Material to weight Bar H (B2)	View Height (B3)	Overall Height (B1)	Overall Height w/ Bracket (B)	Case Height (B5)	Height between bracket & case (B6)	Case Width (C)	Case End to Screen (C1)	Distance between case & wall (C2)	G1	G2	G3	G4	G5	G6	G7	G8
84H	89.0	80.2	73.2	84.3	3.4	50.4	41.2	54.8	56.3	3.7	4.1	3.8	0.8	5.2	2.8	1.5	0.9	0.5	2.9	1.6	0.8	0.4
84H-E30	89.0	80.2	73.2	84.3	3.4	74.6	41.2	79.0	80.5	3.7	4.1	3.8	0.8	5.2	2.8	1.5	0.9	0.5	2.9	1.6	0.8	0.4
92H	96.0	87.2	80.2	92.3	3.8	54.9	45.1	60.2	62.2	4.6	6.9	5.0	0.9	5.2	3.4	1.9	1.4	0.7	4.1	2.2	0.8	0.4
100H	103.0	94.2	87.2	96.7	3.8	58.6	49.0	64.1	66.1	4.6	6.9	5.0	0.9	5.2	3.4	1.9	1.4	0.7	4.1	2.2	0.8	0.4
100H-E24	109.1	94.2	87.2	96.7	3.8	76.8	49.0	82.3	84.3	4.6	6.9	5.0	0.9	5.2	3.4	1.9	1.4	0.7	4.1	2.2	0.8	0.4
106H	109.1	99.4	92.4	103.3	3.8	61.6	52.0	67.0	69.0	4.6	6.9	5.0	0.9	5.2	3.4	1.9	1.4	0.7	4.1	2.2	0.8	0.4
106H-E24	109.1	99.4	92.4	103.3	3.8	79.7	52.0	85.2	87.1	4.6	6.9	5.0	0.9	5.2	3.4	1.9	1.4	0.7	4.1	2.2	0.8	0.4
110H	113.5	102.9	95.9	107.2	3.8	63.5	53.9	68.9	70.9	4.6	6.9	5.0	0.9	5.2	3.4	1.9	1.4	0.7	4.1	2.2	0.8	0.4
110H-E24	113.5	102.9	95.9	107.2	3.8	81.7	53.9	87.2	89.2	4.6	6.9	5.0	0.9	5.2	3.4	1.9	1.4	0.7	4.1	2.2	0.8	0.4
120H	122.6	111.6	104.6	115.9	3.8	66.5	58.8	71.9	73.9	4.6	6.9	5.0	0.9	5.2	3.4	1.9	1.4	0.7	4.1	2.2	0.8	0.4
120H-E20	122.6	111.6	104.6	115.9	3.8	82.6	58.8	88.1	90.1	4.6	6.9	5.0	0.9	5.2	3.4	1.9	1.4	0.7	4.1	2.2	0.8	0.4
135H	135.5	124.7	117.7	128.1	3.8	73.8	66.2	79.3	81.2	4.6	6.9	5.0	0.9	5.2	3.4	1.9	1.4	0.7	4.1	2.2	0.8	0.4
135H-E12	135.5	124.7	117.7	128.1	3.8	82.6	66.2	88.1	90.1	4.6	6.9	5.0	0.9	5.2	3.4	1.9	1.4	0.7	4.1	2.2	0.8	0.4
150H	149.8	137.7	130.7	142.1	3.8	81.2	73.5	86.6	88.6	4.6	6.9	5.0	0.9	5.2	3.4	1.9	1.4	0.7	4.1	2.2	0.8	0.4

CineTension2(3) Dimension Table (16:10)

Model	Case Length (A)	Screen Width (A1)	View Width (A2)	Weight Bar Length (A3)	Bottom Edge (B4)	Material to weight Bar H (B2)	View Height (B3)	Overall Height (B1)	Overall Height w/ Bracket (B)	Case Height (B5)	Height between bracket & case (B6)	Case Width (C)	Case End to Screen (C1)	Distance between case & wall (C2)	G1	G2	G3	G4	G5	G6	G7	G8
94X	96.0	86.7	79.7	90.4	3.8	59.4	49.8	64.8	66.8	4.6	6.9	5.0	0.9	5.2	3.4	1.9	1.4	0.7	4.1	2.2	0.8	0.4
116X	115.5	105.4	98.4	109.1	3.8	71.1	61.5	76.5	78.5	4.6	7.0	5.0	0.9	5.2	3.4	1.9	1.4	0.7	4.1	2.2	0.8	0.4

Unit: inch

BOLD in Model number indicates Diag. Screen size

*Measurement dimensions are intended as a reference only and subject to change without notice

Note: Data Error ±1"

