

## Specifications—Targa

\_\_\_\_\_ projection screens, size \_\_\_\_\_ h. x \_\_\_\_\_ w., Electrically operated 110-120V AC, 60 Hz. 3-wire motor mounted inside screen roller, 1.1 amp draw, instantly reversible, lifetime lubricated, with internal thermal overload protector and electric brake, with preset limits. Roller to be 3" dia. metal, mounted on rubber insulated supports. Viewing surface to be fire retardant and mildew resistant. Matt White and High Contrast Grey viewing surfaces shall qualify as low emitting and meet all of the requirements of the GREENGUARD for Children and Schools and GREENGUARD certification program. Note: Matt white and glass beaded surfaces up to 10' high will be seamless. Bottom of viewing surface attached to weighted dowel. Case of 22 ga. steel with flat back design and scratch-resistant white polyester finish. Case formed from one piece steel. Endcaps finished to match case, forming universal hanging brackets. 3-position control switch to stop or reverse screen at any point. Switch complete with



cover plate. Optional white aluminum Ceiling Opening Trim Kit available to trim opening when screen is to be recessed above the ceiling. Entire unit certified by Underwriters' Laboratories, Inc. for the U.S. and Canada. **Downloadable 3-part specifications are available at [www.draperinc.com](http://www.draperinc.com).**

## Dimensions & Data

### AV Format

Size H x W	Case Length	Net Wt. (lbs.)	Qty.	Size H x W	Case Length	Net Wt. (lbs.)	Qty.
50" x 50"	56½"	26		7' x 9'	115"	47	
60" x 60"	66½"	30		9' x 9'	115"	49	
70" x 70"	76½"	35		8' x 10'	127"	54	
84" x 84"	90½"	40		10' x 10'	127"	58	
72" x 96"	103"	44		9' x 12'	151"	61	
96" x 96"	103"	45		12' x 12'	151"	74	

Nominal Diagonal	Image Area H x W	Overall Size	Case Length	Net Wt. (lbs.)	Qty.
------------------	------------------	--------------	-------------	----------------	------

### 4:3 NTSC Video Format

6'	42½" x 56½"	46½" x 59½"	66½"	30
7'	50" x 66½"	53½" x 69½"	76½"	35
100"	60" x 80"	64" x 83½"	90½"	40
10'	69" x 92"	73" x 96"	103"	44
11'	78" x 104"	83" x 108"	115"	47
150"	87" x 116"	92" x 120"	127"	54
15'	105" x 140"	109" x 144"	151"	61
200"	118" x 158"	123" x 162"	169"	77

### 16:9 HDTV Format

65" <sup>3</sup>	31¾" x 56½"	43¾" x 59½"	66½"	29
73" <sup>3</sup>	36" x 64"	48" x 69½"	76½"	34
82" <sup>3</sup>	40½" x 72"	52½" x 74"	81"	36
92" <sup>3</sup>	45" x 80"	57" x 83½"	90½"	40
100" <sup>3</sup>	49" x 87"	61" x 91"	98"	43
106" <sup>3</sup>	52" x 92"	64" x 96"	103"	43
110" <sup>3</sup>	54" x 96"	66" x 100"	107"	45
119"	58" x 104"	62" x 108"	115"	46
133"	65" x 116"	69" x 120"	127"	54
161"	79" x 140"	84" x 144"	151"	70
184"	90" x 160"	95" x 164"	171"	77

### 16:10 Format

67" <sup>3</sup>	35¼" x 56½"	47¼" x 59½"	66½"	29
76" <sup>3</sup>	40" x 64"	52" x 69½"	76½"	34
85" <sup>3</sup>	45" x 72"	57" x 74"	81"	36
94" <sup>3</sup>	50" x 80"	62" x 83½"	90½"	40
109" <sup>3</sup>	57½" x 92"	69½" x 96"	103"	44
123"	65" x 104"	69" x 108"	115"	46
137"	72½" x 116"	76½" x 120"	127"	54
165"	87½" x 140"	92½" x 144"	151"	70
189"	100" x 160"	105" x 164"	171"	85

### Custom Size

<sup>3</sup> These sizes include 12" black drop as standard.

Also available in 1.85:1, 2.35:1 and 15:9 Formats. Contact Draper.



Targa screens are available in larger sizes. See Targa-LargeSizes submittal form.

## Please Mark Appropriate Selections

### Select Viewing Surface:

- GREENGUARD for Children and Schools certified Matt White (1.0 gain)
- Glass Beaded (Maximum height 14')
- GREENGUARD for Children and Schools certified High Contrast Grey (0.8 gain) (Thru 8' x 10' AV, 150" NTSC, 184" HDTV & 165" 16:10)
- Optional AT1200 (1.0 gain) (Thru 8' x 10" AV, 150" NTSC, 184" HDTV & 165" 16:10) <sup>1</sup>
- Optional AT Grey (same as AT1200) (0.8 gain) <sup>1</sup>

### Select Motor and Controls:

#### Standard Voltage Motor and Control Options:

- 110-120V AC (standard)
- Optional Quiet Motor <sup>2</sup>

Please Note: These motors come with one 110V-120V AC 3-position wall switch (silver wall plate with black rocker).

\_\_\_\_\_ Total number of 110-120V AC switches (operate independently)

- Substitute white switch(es) for silver wall plate with black rocker
- Optional Key Operated Switch
  - Power Supply Key Switch (On-off)
  - 3-Position Key Control
  - 3-Position Switch with Hinged Key-Locking Coverplate

#### Low Voltage Motor and Control Options:

- Optional External LVC-III Low Voltage Control Module
  - Optional Motor with Built-in Low Voltage Controller
  - Optional Quiet Motor <sup>2</sup> with Built-in Low Voltage Controller
- Please Note: Select Control Options for Low Voltage from below.
- 24 Volt 3-Button Switch Number of 24V switches: \_\_\_\_\_
  - Radio Frequency Remote Control (only with 24v)
  - Infrared Remote Control (only with 24v)
  - Optional Key Operated Switch
    - Power Supply Key Switch (On-off)
    - 3-Position Key Control
    - 3-Position Switch with Hinged Key-Locking Coverplate
  - MC1/Serial or Network Communication (please see and complete a Serial and Network Screen and Lift Control Planning Sheet)
  - Optional Video Interface Control (not compatible with other controls)
    - VIC-115  Override Switch
    - VIC-12  Override Switch
    - VIC-6  Override Switch
- (VICs are compatible only with the Override Switch, and not with any other wall switches or controls)**

#### Optional Accessories:

- Mounting Brackets
  - 6" Bracket
- Extra Screen Drop (Total screen height cannot exceed 18' for Matt White or 14' for Glass Beaded) <sup>3</sup>
  - Same color as viewing surface (standard on AV format screens)
  - Black (standard on all other formats)
- Length of total drop (including standard 12" on some sizes—see grid at left) <sup>3</sup> \_\_\_\_\_
- Black Masking Borders (Optional on AV format sizes; standard all others)
- Optional Ceiling Opening Trim Kit for Recessed Installations <sup>4</sup>

<sup>1</sup> Not recommended for screens smaller than 80" wide when used with LCD or DLP projectors.

#### <sup>2</sup> Quiet Motor Size Limitations

	AV	NTSC	HDTV	16:10
MW/HC Grey	108" x 144"	180"	184"	165"
Glass Beaded	108" x 144"	180"	184"	163"

<sup>4</sup> Draper recommends 12" extra drop when ordering Ceiling Opening Trim Kit

PROJECT: \_\_\_\_\_

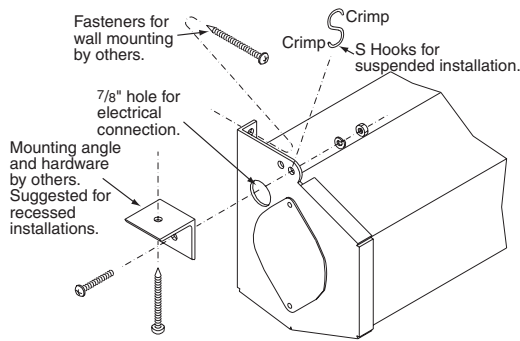
ARCHITECT: \_\_\_\_\_

CONTRACTOR: \_\_\_\_\_

SUPPLIER: \_\_\_\_\_

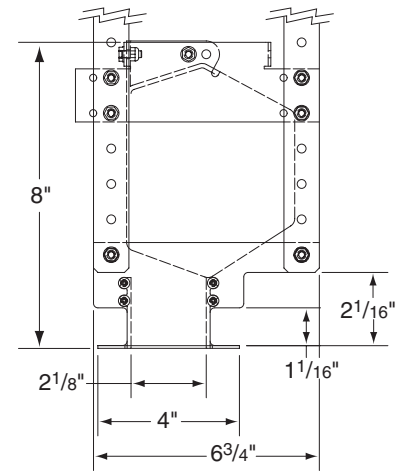
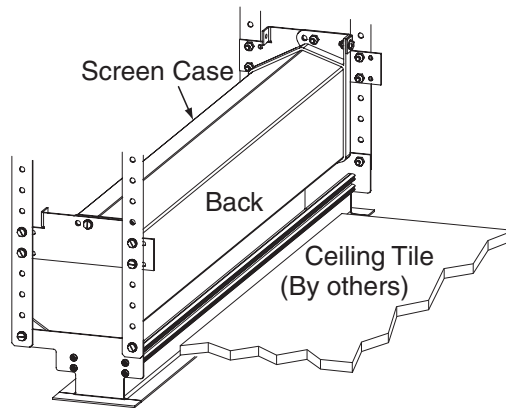
DATE: \_\_\_\_\_ REVISED: \_\_\_\_\_

## Methods of Installation



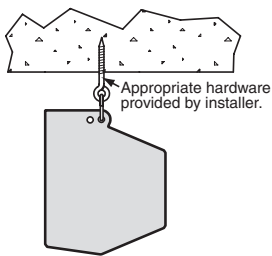
**Please Note:** If using "S" Hooks, for added safety, crimp both ends of the "S" hooks so the screen cannot come off.

## Optional Ceiling Opening Trim Kit

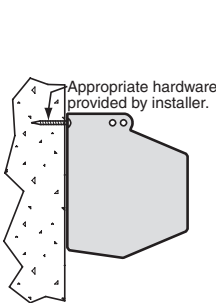


## Types of Installation

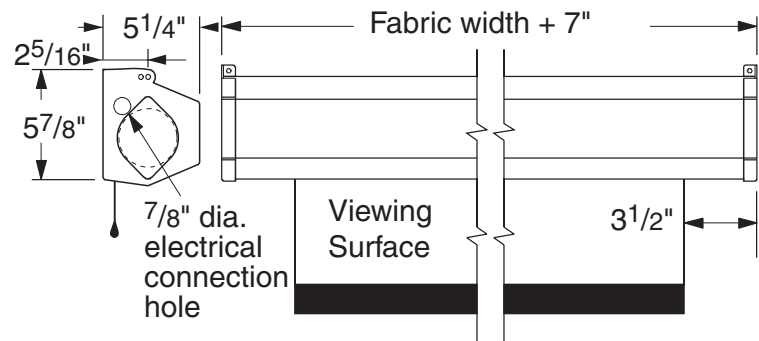
### Suspended



### Wall Mounted



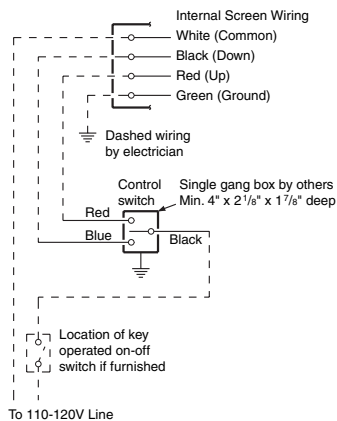
## Case Dimensions



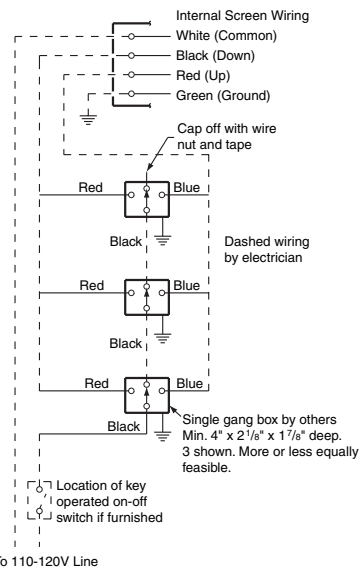
## Wiring Diagrams\*

### 110-120V Motor and Quiet Motor

#### Single Station Control

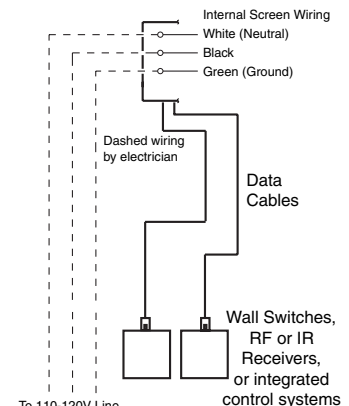
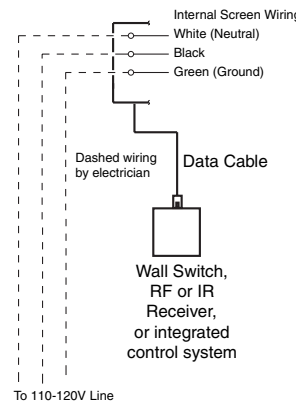


#### Multiple Station Control



### 110-120V Motor and Quiet Motor with Built-in Low Voltage Controller

#### Single Low Voltage Control Multiple Low Voltage Controls



\* For more information and wiring diagrams for serial and network communication, please see the Serial and IP Screen and Lift Control Planning Sheet, Draper Screens and Lift Controls Wiring Manual and wiring diagrams supplied with individual items.

**Please Note:** For low voltage (LVC-III not built-in), serial (MC1) and network (MC1 & LS100) wiring diagrams, please consult instructions for those modules.

PROJECT:	_____
SUPPLIER:	_____
DATE:	_____
REVISED:	_____