

# Premier



Electric Screen with Perfectly Flat Viewing Surface

by DRAPER

## Specifications—Premier

\_\_\_\_\_ projection screens, size \_\_\_\_\_ h. x \_\_\_\_\_ w., Electrically operated 110-120V AC, 60 Hz. 3-wire motor mounted inside screen roller, 1.1 amp draw, instantly reversible, lifetime lubricated, with internal thermal overload protector and electric brake, with preset limits. 3" dia. metal roller, mounted on rubber insulated supports. Viewing surface shall be mildew resistant, with black masking borders. Each side of surface to have tab-guide cable system to maintain even lateral tension and hold surface flat. Bottom of surface supported and masked by black, extruded aluminum dowel weighted to apply proper vertical tension. Top of surface masked by 12" black drop. M1300 and HiDef Grey viewing surfaces shall qualify as low emitting and meet all of the requirements of the GREENGUARD for Children and Schools and GREENGUARD certification program.



Case one piece 22 ga. steel with flat back design and baked-on black plastisol finish,

### Please Check All Appropriate Selections

#### Select Viewing Surface

- GREENGUARD for Children and Schools certified M1300 (1.0 gain)
- M2500 (1.5 gain) (Thru 9' x 12' AV, 15" NTSC, 184" HDTV & 189" 16:10)
- GREENGUARD for Children and Schools certified HiDef Grey (0.9 gain) (Thru 9' x 12' AV, 200" NTSC, 184" HDTV & 189" 16:10)
- Optional Cineflex for rear projection (1.3 gain)
- Optional Low-Gain Cineflex for rear projection (0.8 gain)
- Optional Cineflex for front (0.5 gain) and rear (0.7 gain) projection

#### Select Motor and Controls:

##### Standard Voltage Motor and Control Options:

- 110-120V AC (standard)
- Optional Quiet Motor<sup>1</sup>

Please Note: These motors come with one 110V-120V AC 3-position wall switch (silver wall plate with black rocker).

- \_\_\_\_\_ Total number of 110-120V AC switches (operate independently)
  - Substitute white switch(es) for silver wall plate with black rocker
  - Optional Key Operated Switch
    - Power Supply Key Switch (On-off)
    - 3-Position Key Control
    - 3-Position Switch with Hinged Key-Locking Coverplate

##### Low Voltage Motor and Control Options:

- Optional External LVC-III Low Voltage Control Module
  - Optional Motor with Built-in Low Voltage Controller
  - Optional Quiet Motor<sup>1</sup> with Built-in Low Voltage Controller
- Please Note: Select Control Options for Low Voltage from below.
- 24 Volt 3-Button Switch Number of 24V switches: \_\_\_\_\_
  - Radio Frequency Remote Control (only with 24v)
  - Infrared Remote Control (only with 24v)
  - Optional Key Operated Switch
    - Power Supply Key Switch (On-off)
    - 3-Position Key Control
    - 3-Position Switch with Hinged Key-Locking Coverplate

- MC1/Serial or Network Communication (please see and complete a Serial and Network Screen and Lift Control Planning Sheet)

- Optional Video Interface Control (not compatible with other controls)
  - VIC-115  Override Switch
  - VIC-12  Override Switch
  - VIC-6  Override Switch

**(VICs are compatible only with the Override Switch, and not with any other wall switches or controls)**

#### Optional Accessories

- Additional Drop \_\_\_\_\_ (Beyond standard 12")<sup>2</sup>
- Total Drop \_\_\_\_\_ (Standard 12" + Additional drop)
  - Black (standard)
  - Same color as viewing surface

(Total screen height cannot exceed 12'; extra drop increases length of case)

- Optional Ceiling Opening Trim Kit for Recessed Installations<sup>3</sup>

<sup>2</sup> Quiet Motor Size Limitations			
AV	NTSC	HDTV	16:10
96" x 96"	11'	119"	123"

<sup>2</sup> Extra drop will increase case length. Specify at time of order and request dimension. Contact Draper if this dimension is critical. Extra drop also increases length of dowel. Dowel clearance for recessed mounting equals dowel length plus 1".

<sup>3</sup> Draper recommends 12" of extra drop when ordering Ceiling Opening Trim Kit

5/8" H x 5/4" D, including endcaps with universal mounting brackets. Endcaps of 12 ga. black epoxy powder coat finish steel fully enclosing roller ends and forming universal (wall or suspended) hanging brackets. 3-position control switch to stop or reverse screen at any point. Switch complete with cover plate.

Optional white aluminum Ceiling Opening Trim Kit available to trim opening when screen is to be recessed above the ceiling.

Entire unit certified by Underwriters' Laboratories, Inc. for the U.S. and Canada.

### Dimensions & Data

H x W	Case Length <sup>2</sup>	Dowel Length <sup>2</sup>	Net Wt. (lbs.)	Qty.	
<b>AV Format</b>					
50" x 50"	68"	60 1/8"	30		
60" x 60"	78 3/4"	71 1/8"	35		
70" x 70"	89"	82 1/8"	40		
84" x 84"	104 1/4"	96 1/8"	50		
72" x 96"	115"	108 1/8"	55		
96" x 96"	117 3/4"	109 5/8"	60		
7' x 9'	128 1/4"	120 1/8"	70		
9' x 9'	129 3/4"	122 1/8"	75		
8' x 10'	141 3/4"	133 5/8"	80		
10' x 10'	143 1/2"	135 7/8"	85		
9' x 12'	165 3/4"	158 1/8"	90		
12' x 12'	171 1/2"	161 5/8"	100		
Nominal Diagonal	Image Area HxW	Case Length <sup>2</sup>	Dowel Length <sup>2</sup>	Net Wt. (lbs.)	Qty.
<b>NTSC Video Format (4:3)</b>					
6'	42 1/2" x 56 1/2"	74"	66 5/8"	35	
7'	50" x 66 1/2"	84 1/4"	76 5/8"	40	
100"	60" x 80"	97 3/4"	91 1/8"	50	
10'	72" x 96"	115"	108 1/8"	55	
11'	78" x 104"	124 1/4"	116 1/8"	65	
150"	87" x 116"	136 1/4"	129 5/8"	78	
15'	108" x 144"	165 3/4"	158 1/8"	90	
200"	118" x 158"	180 3/4"	173 1/8"	95	
<b>HDTV Format (16:9)</b>					
65"	31 3/4" x 56 1/2"	72 1/2"	65 5/8"	34	
73"	36" x 64"	80"	73 1/8"	36	
82"	40 1/2" x 72"	89"	82 1/8"	38	
92"	45" x 80"	97 1/2"	90 1/8"	50	
100"	49" x 87"	104"	97 1/8"	57	
106"	52" x 92"	110"	102 1/8"	58	
110"	54" x 96"	114"	107 1/8"	60	
119"	58" x 104"	122"	115 1/8"	65	
133"	65" x 116"	135"	127 1/8"	75	
161"	79" x 140"	160 1/4"	152 1/8"	80	
184"	90" x 160"	180 3/4"	173 5/8"	94	
<b>16:10 Format</b>					
67"	35 1/4" x 56 1/2"	72 1/2"	65 5/8"	34	
76"	40" x 64"	81"	74 1/8"	36	
85"	45" x 72"	89"	82 1/8"	38	
94"	50" x 80"	97"	90 1/8"	50	
109"	57 1/2" x 92"	110"	103 1/8"	58	
123"	65" x 104"	122"	115 1/8"	65	
137"	72 1/2" x 116"	135"	128 1/8"	75	
165"	87 1/2" x 140"	160 1/2"	153 5/8"	80	
189"	100" x 160"	180 1/2"	173 5/8"	94	
<b>Custom Size</b>					

Seamless in all sizes through 9' high.  
**Also available in 1.85:1, 2.35:1 and 15:9 Formats. Contact Draper.**  
 Premier screens are available in larger sizes. See Premier-Large Sizes submittal form.

PROJECT: \_\_\_\_\_

ARCHITECT: \_\_\_\_\_

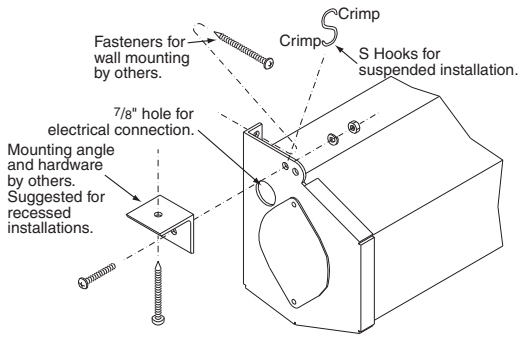
CONTRACTOR: \_\_\_\_\_

SUPPLIER: \_\_\_\_\_

DATE: \_\_\_\_\_ REVISED: \_\_\_\_\_

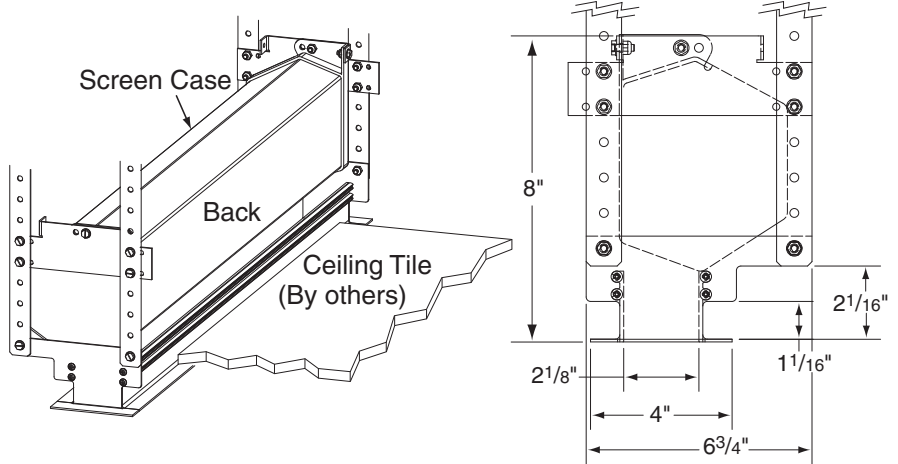


## Methods of Installation



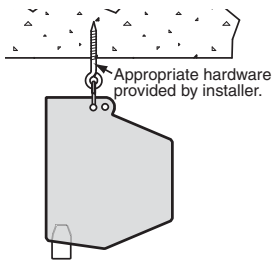
**Please Note: If using "S" Hooks, for added safety, crimp both ends of the "S" hooks so the screen cannot come off.**

## Optional Ceiling Opening Trim Kit

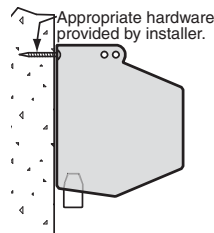


## Types of Installation

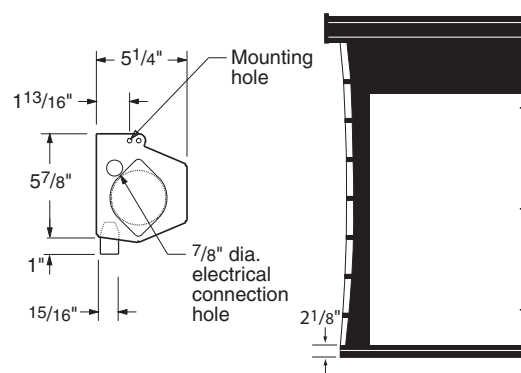
### Suspended



### Wall Mounted



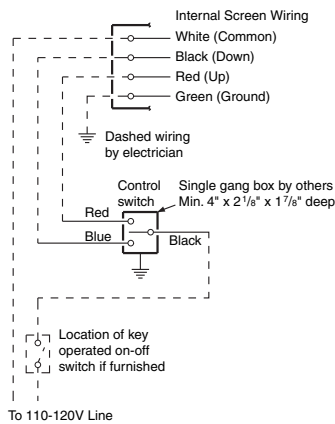
## Case Dimensions



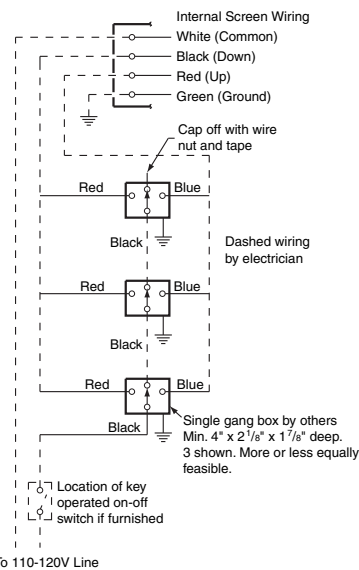
## Wiring Diagrams\*

### 110-120V Motor and Quiet Motor

#### Single Station Control

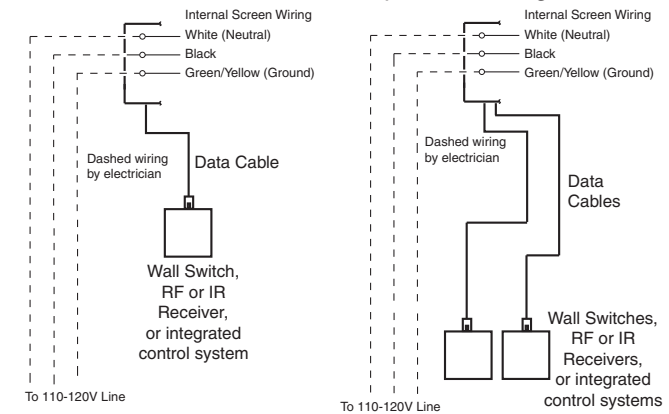


#### Multiple Station Control



### 110-120V Motor and Quiet Motor with Built-in Low Voltage Controller

#### Single Low Voltage Control Multiple Low Voltage Controls



**\* For more information and wiring diagrams for serial and network communication, please see the Serial and IP Screen and Lift Control Planning Sheet, Draper Screens and Lift Controls Wiring Manual and wiring diagrams supplied with individual items.**

**Please Note: For low voltage (LVC-III not built-in), serial (MC1) and network (MC1 & LS100) wiring diagrams, please consult instructions for those modules.**

PROJECT: \_\_\_\_\_  
 SUPPLIER: \_\_\_\_\_  
 DATE: \_\_\_\_\_ REVISED: \_\_\_\_\_